

Kraftform Kompakt Vario RA SB, 7 pieces

Kraftform Kompakt with Ratchet Function. - Fine tooth system for precision work.



| | | | |
|------------------------|-----------------------------------|-------------------------------|--------------|
| EAN: | 4013288156266 | Size: | 220x90x55 mm |
| Part number: | 05073665001 | Weight: | 566 g |
| Article number: | Kraftform Kompakt Vario RA SB SiS | Country of origin: | CZ |
| | | Customs tariff number: | 82054000 |

- Pouch with Wera Vario double-end blades in a length of 175 mm,
- Kraftform Kompakt Vario RA holder with ratchet function, fine-pitched toothing and switchover ring
- 6 mm hex socket take-up for Wera Vario double-end blades
- Maximum torque of up to 50 Newton metres
- Includes 6 Vario double-end blades

Pouch with 6 Wera Vario double-end blades in a length of 175 mm, 6 mm hexagon. 1 Kraftform Kompakt Vario RA holder with ratchet function, fine-pitched for small return angle, switchover ring (right, fixed, left), maximum torque of up to 50 Nm; 6 mm hexagon socket take-up for Wera Vario double-end blades, 6 Vario double-end blades (=12 different dimensions). Convenient bit take-up and removal.

Web link

https://products.wera.de/en/kraftform_kompakt_kraftform_kompakt_with_ratchet_function_fine_tooth_system_for_precision_work_kraftform_kompakt_vario_ra_sb_sis.html

Wera - Kraftform Kompakt Vario RA SB SiS
05073665001 - 4013288156266













Wera Werkzeuge GmbH
Korzter Straße 21-25
D-42349 Wuppertal
Tel: +49 (0)2 02 / 40 45-0
E-Mail: info@wera.de

Kraftform Kompakt Vario RA SB, 7 pieces



Kraftform Kompakt with Ratchet Function. - Fine tooth system for precision work.

Set contents:

| | | | | | |
|---|-----------------------------|------------------------------|---|---|--|
|  | 80 RA 05002901001 | 1 x 6 x 115 mm |  | 85 05002950001 | 1 x PH 1 x PH 2 x 175 mm |
|  | | |  | | |
|  | 86 05002960001 | 1 x PZ 1 x PZ 2 x 175 mm |  | 87 05002970001 05002973001 | 1 x TX 10 x TX 15 x 175 mm 1 x TX 20 x TX 25 x 175 mm |
|  | | |  | | |
|  | 81 05002910001 | 1 x 0.6 x 4 x 1 x 6 x 175 mm |  | 84 05002948001 ¹⁾ | 1 x 4 x 5 x 175 mm |
|  | | |  | | 1) without ball-end |

Kraftform Kompakt 80 A

Fine-tooth design

Changing ratchet direction

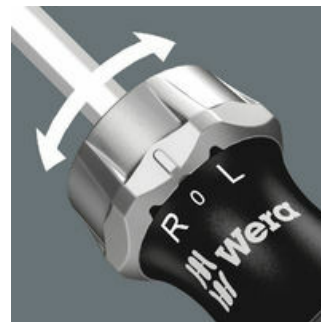
Fine adjustment work



Suitable for 6 mm Wera Vario blades. Ratchet, fine-tooth design for minimal return angle, switchover ring (right, locked, left), maximum torque of up to 50 Newton metres, 6 mm hexagon chuck.



Fine action 44 tooth system for precision work. Great time savings when screwdriving.



Ergonomic design of the reverse direction switch.



Additionally, the lockable neutral position permits exact adjustment work without having to change the screwdriving direction every time. Lockable neutral position for fine adjustment work.

Web link

https://products.wera.de/en/kraftform_kompakt_kraftform_kompakt_with_ratchet_function_fine_tooth_system_for_precision_work_kraftform_kompakt_vario_ra_sb_sis.html

Wera - Kraftform Kompakt Vario RA SB SiS
05073665001 - 4013288156266

Wera Werkzeuge GmbH
Korzter Straße 21-25
D-42349 Wuppertal
Tel: +49 (0)2 02 / 40 45-0
E-Mail: info@wera.de

Kraftform Kompakt with Ratchet Function. - Fine tooth system for precision work.

Handle/interchangeable blade system



The handle/interchangeable blade system allows rapid exchange of the blades required for a wide range of applications.

Vario double-ended blades



The 6 mm double-ended blades of 175 mm length are out of high quality bit material which gives them a particularly long service life.

Kraftform



The basic idea for the prototype of the Kraftform handle - that the hand should dictate the design - has, right through to today, proved to be correct. In cooperation with the internationally recognised Fraunhofer IAO Institute, Wera developed a screwdriver handle designed to match the shape of the human hand as long ago as the 1960s. After a long development phase, the Wera Kraftform handle was launched to the market in 1968. It has been optimised through the years with new technologies, but has kept its proven shape. After all, the human hand has not changed either.

Prevents hand injuries



The outstanding design of the Kraftform handle that fits perfectly into the hand prevents hand injuries such as blisters and calluses.

Web link

https://products.wera.de/en/kraftform_kompakt_kraftform_kompakt_with_ratchet_function_fine_tooth_system_for_precision_work_kraftform_kompakt_vario_ra_sb_sis.html

Wera - Kraftform Kompakt Vario RA SB SiS
05073665001 - 4013288156266

Wera Werkzeuge GmbH
Korzter Straße 21-25
D-42349 Wuppertal
Tel: +49 (0)2 02 / 40 45-0
E-Mail: info@wera.de